



Energy Division

ALR Photocontrol and Lighting Accessories Selection Guide



ALR Photocontrol and Lighting Accessories Selection Guide

Who We Are...

Tyco Electronics has over fifty years of experience designing and delivering superior photocontrols and other lighting accessories in the US and around the world. We offer a comprehensive line of products that meet a broad range of requirements for a variety of applications. We are committed to becoming the world leader in this technology and that in turn is your advantage.

Customer Service—800.327.6996



Thermal Photocontrols

AT Series	4
PT / SPT Series	4
TL Series	5
AA Series	5
LC Series	6
BF Series	6
M Series	7

Electronic Photocontrols

LM 1000	8
2000 Series	9
3000 Series	10
6000 Series	11
7000 Series	12
SST Series	13

Time Controls

24 Hour Time Clocks.....	14
Spring Wound Interval Timers	14

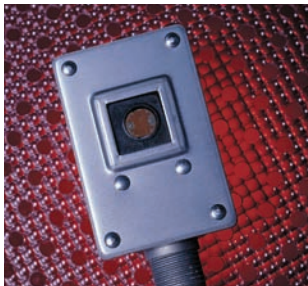
Photocontrol Accessories

Shorting and Open Caps	15
AM Series.....	15
AMR Series	16

Lighting Accessories

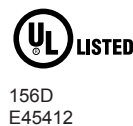
US-30 Starter	17
OLC / PL / ACL.....	17

Thermal Photocontrols



AT Series

- Tough die-cast aluminum housing
- Heavy-duty thermal bimetal switch
- UL and CSA listed
- 30-45 second time delay
- 2000 & 3000 Watt load ratings
- Fail mode is ON



Selection Information

Catalog Number	Rated Volts	Range (Volts)	Load Rating		Turn ON (Fc)	OFF/ON Ratio
			Tungsten (Watts)	Ballast (VA)		
AT-15	120	105-130	2000	1900	1.5	6:1
AT-168	208/240/277	185-305	2000	1900	1.5	6:1
AT-19*	480	420-530	2000	1900	1.5	6:1
AT-20	120 or 208/240/277	105-305	2000	1900	1.5	6:1
AT-30*	120	105-130	3000	2900	1.5	6:1
AT-368*	208/240/277	185-305	3000	2900	1.5	6:1
AT-39*	480	420-530	3000	2900	1.5	6:1

Note: 6" Lead wires
*Not UL or CSA Listed



PT

SPT

PT / SPT Series Non-Metallic Housing

- Fixed or adjustable swivel base
- Heavy-duty thermal bimetal switch
- UL and CSA listed
- 30-45 second time delay
- 2000 Watt load rating
- Fail mode is ON



Selection Information

Catalog Number	Base	Rated Volts	Range (Volts)	Load Rating		Turn ON (Fc)	OFF/ON Ratio
				Tungsten (Watts)	Ballast (VA)		
PT Series							
PT-15	Fixed	120	105-130	2000	1900	1.5	5:1
PT-168	Fixed	208/240/277	185-305	2000	1900	1.5	5:1
PT-20	Fixed	120 or 208/240/277	105-305	2000	1900	1.5	5:1
PT-347**	Fixed	347	310-380	2000	1900	1.5	5:1
SPT Series							
SPT-15	Swivel	120	105-130	2000	1900	1.5	5:1
SPT-168	Swivel	208/240/277	185-305	2000	1900	1.5	5:1
SPT-19*	Swivel	480	420-530	2000	1900	1.5	5:1
SPT-347**	Swivel	347	310-380	2000	1900	1.5	5:1

Note: 6" Lead wires
*Not UL or CSA Listed
** CSA Listed only

Thermal Photocontrols



TL Series Slim Profile

- Adjustable swivel base
- Thinline profile - perfect for tight spots
- 30-45 second time delay
- UL and CSA listed
- Durable polycarbonate housing
- Fail mode is ON



156D
E45412



Certified
LR27428

Selection Information

Catalog Number	Rated Volts	Range (Volts)	Load Rating		Turn ON (Fc)	OFF/ON Ratio
			Tungsten (Watts)	Ballast (VA)		
TL-115	120	105-130	1800	1100	1.5	5:1
TL-1168	208/240/277	185-305	1200	1100	1.5	5:1

Note: 6" Lead wires



AA Series Button Style

- 3/4" long threaded nipple
- 30-45 second time delay
- UL and CSA listed
- Durable polycarbonate housing
- 1800 and 1200 Watt load rating
- Fail mode is ON



156D
E45412



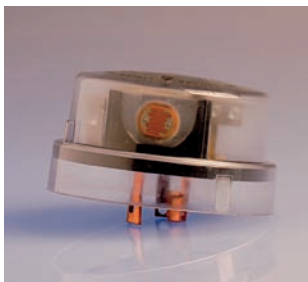
Certified
LR27428

Selection Information

Catalog Number	Product Information	Rated Volts	Range (Volts)	Load Rating		Surge Protection (Joules)	Turn ON (Fc)	OFF/ON Ratio
				Tungsten (Watts)	Ballast (VA)			
AA-105		120	105-130	1800	1100		1.5	5:1
AA-105W	w/Wall Plate	120	105-130	1800	1100		1.5	5:1
AA-1068		208/240/277	185-305	1200	1100		1.5	5:1
AA-1068W	w/Wall Plate	208/240/277	185-305	1200	1100		1.5	5:1
AA-305		120	105-130	300	840		1.5	5:1
AA-105M	15" Leads	120	105-130	1800	1100	180	1.5	5:1
AA-1068M	15" Leads	208/240/277	185-305	1200	1100	180	1.5	5:1
AA-105HA	High Ambient	120	105-130	1800	1100		1.5	5:1

Note: 6" Lead wires unless otherwise noted

Thermal Photocontrols



LC Series Locking Style/Residential Grade

- Heavy-duty thermal bimetal switch
- 30-45 second time delay
- UL and CSA listed
- ANSI C136.10 compliant
- Fail mode is ON



128F
PHOTOCONTROL
E66375



Certified
LR27428

Selection Information

Catalog Number	Rated Volts	Range (Volts)	Load Rating		Turn ON (Fc)	OFF/ON Ratio
			Tungsten (Watts)	Ballast (VA)		
LC-120	120	105-130	1000	1800	1.5	4:1
LC-208-277	208/240/277	185-305	1000	1800	1.5	4:1

ANSI Standard Cap Colors

120V	Gray or Clear
208 / 240 / 277V	Maroon
120 / 208 / 240 / 277V	Blue



BF Series Locking Style/Industrial/Commercial Grade with Surge Protection

- 180 Joule MOV surge protection
- Heavy-duty thermal bimetal switch
- 30-45 second time delay
- UL and CSA listed
- ANSI C136.10 compliant
- Fail mode is ON



128F
PHOTOCONTROL
E66375



Certified
LR27428

Selection Information

Catalog Number	Rated Volts	Range (Volts)	Load Rating		Surge Protection (Joules)	Turn ON (Fc)	OFF/ON Ratio
			Tungsten (Watts)	Ballast (VA)			
BF-120	120	105-130	1000	1800	180	1.5	5:1
BF-208-277	208/240/277	185-305	1000	1800	180	1.5	5:1
BF-PV	120 or 208/240/277	105-305	1000	1800	180	1.5	5:1

ANSI Standard Cap Colors

120V	Gray
208 / 240 / 277V	Maroon
120 / 208 / 240 / 277V	Blue

Thermal Photocontrols



M Series Locking Style/Industrial Grade with Surge Protection

- 180 or 360 Joule MOV surge protection
- Heavy-duty thermal bimetal switch
- 30-45 second time delay
- UL and CSA listed
- ANSI C136.10 compliant
- Fail mode is ON



128F
PHOTOCONTROL
E66375



Certified
LR27428

Selection Information

Catalog Number	Rated Volts	Range (Volts)	Load Rating		Surge Protection (Joules)	Turn ON (Fc)	OFF/ON Ratio
			Tungsten (Watts)	Ballast (VA)			
M-120	120	105-130	1000	1800	180	1.5	5:1
M-208-277	208/240/277	185-305	1000	1800	180	1.5	5:1
M-480*	480	420-530	1000	1800	180	1.5	5:1
M-PV	120 or 208/240/277	105-305	1000	1800	180	1.5	5:1
M-347**	347	310-380	1000	1800	180	1.5	5:1
MH-120*	120	105-130	1000	1800	360	1.5	5:1
MH-208-277*	208/240/277	185-305	1000	1800	360	1.5	5:1
MH-PV*	120 or 208/240/277	105-305	1000	1800	360	1.5	5:1

* Not UL or CSA Listed

** CSA Listed Only

ANSI Standard Cap Colors

120V	Gray
208 / 240 / 277V	Maroon
120 / 208 / 240 / 277V	Blue
480V	Yellow

Electronic Photocontrols



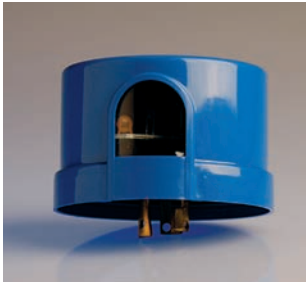
LM 1000 Time Off Lighting Control

- Programmable
- Resets automatically after power outages
- 360 Joule MOV surge protection
- 2-5 second ON and OFF time delay
- Rain-tight / dust-tight housing
- ANSI C136.10 compliant
- Fail mode is ON

Selection Information

Catalog Number	Rated Volts	Range (Volts)	Load Rating		Surge Protection (Joules)	Turn ON (Fc)	OFF/ON Ratio
			Tungsten (Watts)	Ballast (VA)			
LM-1000	120/208/240/277	105-305	1000	1800	360	5.0	1.5:1

Electronic Photocontrols



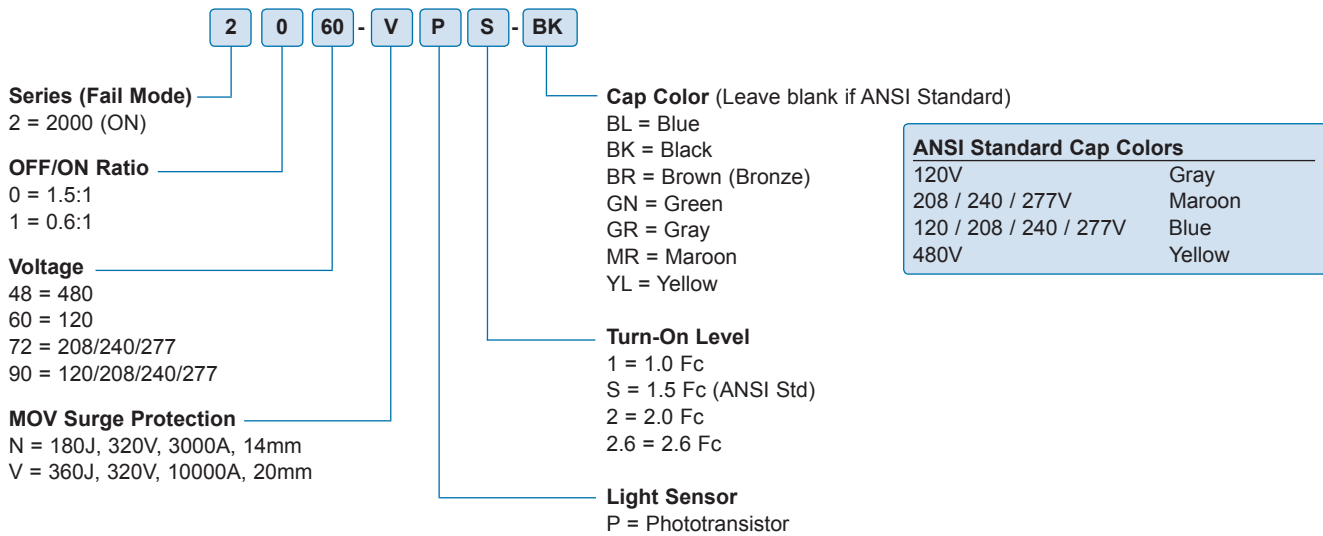
2000 Series Electronic/Heavy-Duty

- Heavy-duty utility grade electronic
- 30 Amp relay
- 180 or 360 Joule MOV surge protection
- 2-5 second ON and OFF time delay
- Non-drifting phototransistor
- Rain-tight / dust-tight housing
- ANSI C136.10 compliant
- Fail mode is ON
- 2100 series has inverse OFF/ON ratio

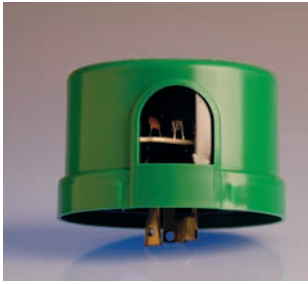
Selection Information

Catalog Number	Rated Volts	Range (Volts)	Load Rating		Surge Protection (Joules)	Turn ON (Fc)	OFF/ON Ratio
			Tungsten (Watts)	Ballast (VA)			
2060-NPS	120	105-130	1000	1800	180	1.5 +/- 0.5	1.5:1
2060-VPS	120	105-130	1000	1800	360	1.5 +/- 0.5	1.5:1
2090-NPS	120/208/240/277	105-305	1000	1800	180	1.5 +/- 0.5	1.5:1

Note: Custom models can be configured based on chart below.



Electronic Photocontrols



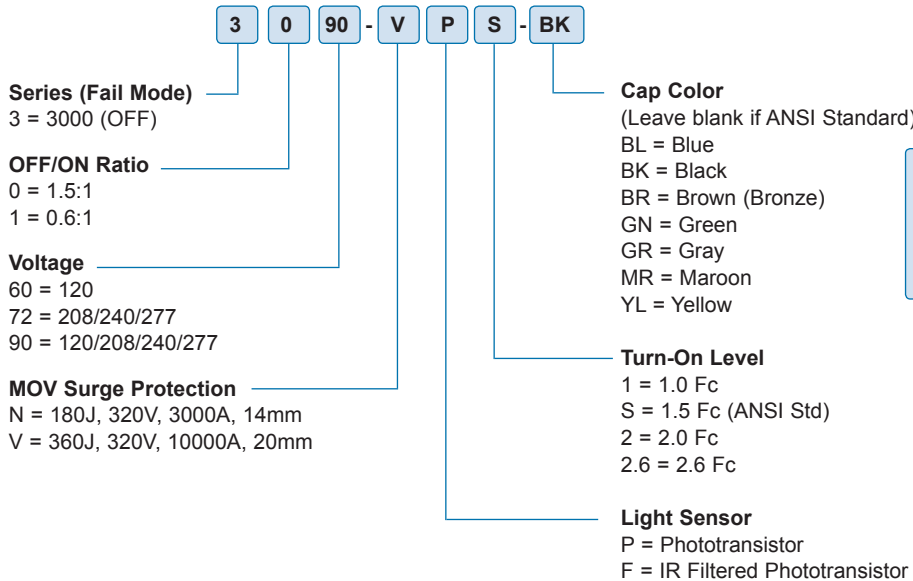
3000 Series Electronic/Heavy-Duty/N.O. Contact

- Heavy-duty utility grade electronic
- 180 or 360 Joule MOV surge protection
- 2-5 second ON and OFF time delay
- Non-drifting phototransistor, optional IR filtered
- Rain-tight / dust-tight housing
- ANSI C136.10 compliant
- Fail mode is OFF
- 3100 series has inverse OFF/ON ratio

Selection Information

Catalog Number	Rated Volts	Range (Volts)	Load Rating		Surge Protection (Joules)	Turn ON (Fc)	OFF/ON Ratio
			Tungsten (Watts)	Ballast (VA)			
3090-NPS	120/208/240/277	105-305	1000	1800	180	1.5 +/- 0.5	1.5:1
3090-VFS	120/208/240/277	105-305	1000	1800	360	1.5 +/- 0.5	1.5:1

Note: Custom models can be configured based on chart below.



ANSI Standard Cap Colors	
120V	Gray
208 / 240 / 277V	Maroon
120 / 208 / 240 / 277V	Blue

Electronic Photocontrols



6000 Series Electronic/Heavy-Duty/Premium Grade



128F
PHOTOCONTROL
E66375

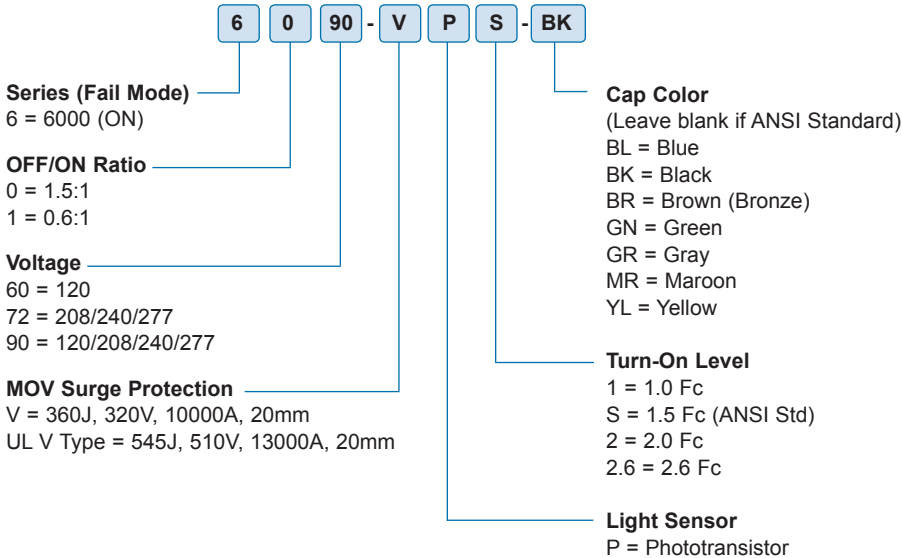
- Long life, high reliability
- 30 Amp relay
- MOV surge protection
- Non-drifting phototransistor
- Instant ON / 2-5 second OFF time delay
- Rain-tight / dust-tight housing
- ANSI C136.10 compliant
- Fail mode is ON
- 6100 series has inverse OFF/ON ratio

Selection Information

Catalog Number	Rated Volts	Range (Volts)	Load Rating		Surge Protection (Joules)	Turn ON (FC)	OFF/ON Ratio
			Tungsten (Watts)	Ballast (VA)			
6060-VPS	120	105-130	2000	1800	360	1.5	1.5:1
6090-VPS	120/208/240/277	105-305	2000	1800	360	1.5	1.5:1
6090-VPS-UL	120/208/240/277	105-305	1000	1800	545	1.5	1.5:1

Note: UL indicates a UL listed product

Note: Custom models can be configured based on chart below.



ANSI Standard Cap Colors	
120V	Gray
208 / 240 / 277V	Maroon
120 / 208 / 240 / 277V	Blue

Electronic Photocontrols



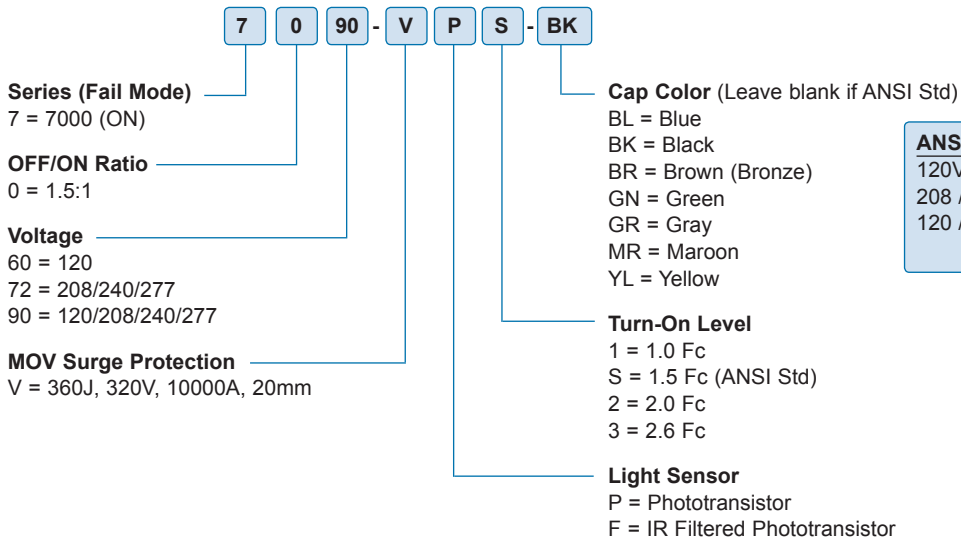
7000 Series Electronic/Heavy-Duty/Utility Grade

- Long life, high reliability
- 30 Amp relay
- 480 Joule surge protection
- Non-drifting phototransistor, optional IR filtered
- Instant ON / 2–5 second OFF time delay
- Rain-tight / dust-tight housing
- ANSI C136.10 compliant
- Fail mode Is ON
- Standard pack 100 units that are in individual bags

Selection Information

Catalog Number	Rated Volts	Range (Volts)	Load Rating		Surge Protection (Joules)	Turn ON (FC)	OFF/ON Ratio
			Tungsten (Watts)	Ballast (VA)			
7060-VPS	120	105-130	1000	1800	480	1.5+/-0.5	1.5:1
7090-VPS	120/208/240/277	105-305	1000	1800	480	1.5+/-0.5	1.5:1
7090-VPS-BK	120/208/240/277	105-305	1000	1800	480	1.5+/-0.5	1.5:1

Note: Custom models can be configured based on chart below.



ANSI Standard Cap Colors

120V	Gray
208 / 240 / 277V	Maroon
120 / 208 / 240 / 277V	Blue

Electronic Photocontrols



SST Series Electronic/Heavy-Duty with Time Delay



128F
PHOTOCONTROL
E66375

- Energy saving inverse OFF/ON ratio
- 30 Amp relay / microprocessor controlled
- MOV surge protection
- Non-drifting phototransistor
- 20-40 second ON and OFF time delay
- Rain-tight / dust-tight housing
- ANSI C136.10 compliant
- Fail mode is ON

Selection Information

Catalog Number	Rated Volts	Range (Volts)	Load Rating		Surge Protection (Joules)	Turn ON (Fc)	OFF/ON Ratio
			Tungsten (Watts)	Ballast (VA)			
SST-PV	120/208/240/277	105-305	1000	1800	180	1.5 +/- 0.5	0.6:1
SST-PV-IES	120/208/240/277	105-305	1000	1800	180	3.0 +/- 0.5	0.6:1
SST-PV-IES-UL	120/208/240/277	105-305	1000	1800	545	3.0 +/- 0.5	0.6:1
SST-FAA	120/208/240/277	105-305	1000	1800	180	35 +/- 0.5	1.5:1

Note: UL indicates a UL listed product

SST - PV - IES - BK

Series (Fail Mode)
SST = SST (ON)

Voltage
120 = 120
240 = 240
PV = 120/208/240/277

Cap Color (Leave blank if ANSI Std)

BL = Blue
BK = Black
BR = Brown (Bronze)
GN = Green
GR = Gray
MR = Maroon
YL = Yellow

Turn-On Level
(Leave blank if ANSI Std)
IES = 3.0

ANSI Standard Cap Colors

120V	Gray
208 / 240 / 277V	Maroon
120 / 208 / 240 / 277V	Blue

Time Controls



Time Clocks 24 Hour

- Tamper proof enclosure
- All-steel mechanism
- 1-7 ON/OFF operations per day
- Manual override
- UL and CSA listed



Selection Information

Catalog Number	Use	Volts (60 Hz)	Switch Rating Per Pole				Enclosure					
			Switch	Amps	Amps T	VA	HP	Type (NEMA)	Height (inches)	Width (inches)	Depth (inches)	
TC-101	Indoor	120	SPST	40	40	690	1	1	7-27/32	4-9/64	2-15/16	
TC-103	Indoor	120	DPST	40	40	690	1	1	7-27/32	4-9/64	2-15/16	
TC-104	Indoor	208-277	DPST	40	40	690	1	1	7-27/32	5-9/64	2-15/16	
TC-101R	Outdoor	120	SPST	40	40	690	1	3	9-5/8	5-3/8	3-11/16	
TC-103R	Outdoor	120	DPST	40	40	690	1	3	9-5/8	5-3/8	3-11/16	
TC-104R	Outdoor	208-277	DPST	40	40	690	1	3	9-5/8	5-3/8	3-11/16	
PC-101R	Outdoor	120	SPST	40	40	690	1	3R	8-1/2	5-5/8	3-7/8	
PC-103R	Outdoor	120	DPST	40	40	690	1	3R	8-1/2	5-5/8	3-7/8	
PC-104R	Outdoor	208-277	DPST	40	40	690	1	3R	8-1/2	5-5/8	3-7/8	

Enclosure Key:

- 1 = NEMA 1 Indoor Metal
- 3 = NEMA 3 Indoor | Outdoor Metal
- 3R = NEMA Type 3R Indoor | Outdoor Plastic



Interval Timers Spring Wound

- Easy to install 2-Wire design
- 20 Amp rating at 120 VAC
- UL and CSA listed
- SPST



Selection Information

Catalog Number	Cycle Time	Style / Color	Wall Plate	NEMA Wall Box (Depth - inches)	Amps	Volts (AC)
FC-15M	15 min.	Brushed Aluminum	Included	3	10	250
FC-30M	30 min.	Brushed Aluminum	Included	3	10	277
FC-60M	60 min.	Brushed Aluminum	Included	3	7	125*

* Tungsten

Photocontrol Accessories



Shorting and Open Caps

- Shorting and non-shorting models
- Optional surge protection
- Voltage range: 120 - 480 VAC



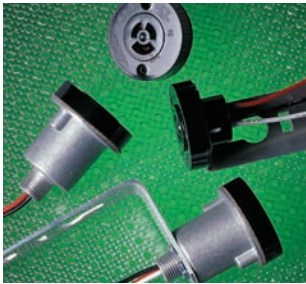
128F
PHOTOCONTROL
E66375

Selection Information

Catalog Number	Circuit Type	Cap Color	Load Rating		Surge Protection (Joules)
			Tungsten (Watts)	Ballast (VA)	
SC-10A*	Shorting	Clear	1000	1800	-
SC-10ANSI**	Shorting	Black	1000	1800	-
MC-10ANSI**	Shorting	Black	1000	1800	545
NS-10ANSI**	Open	Red	1000	1800	-

*UL Listed

**ANSI C136.10-2006 Compliant



AM Series

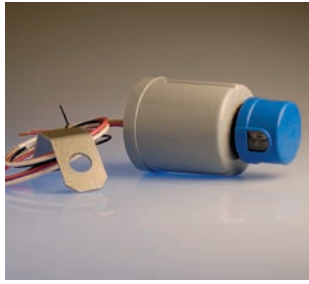
- Phosphor bronze contacts
- Thermal-set phenolic base
- UL Recognized component
- Voltage range: 120 - 480 VAC



Selection Information

Catalog Number	Load Rating		Flange Diameter	Receptacle Barrel Diameter	Overall Height (inches)	Lead Length	Bracket (inches)		
	Ballast (VA)	Ballast (Amps)					Width	Depth	Height
AM-1-A	1800	15.0	2-9/16	1-3/8	1-1/2	9	2.0	3-1/2	5-1/2
AM-1-A-NB	1800	15.0	2-9/16	1-3/8	1-1/2	9	-	-	-
AM-2-A	1800	15.0	2-9/16	-	3-1/3	6	2.0	3-1/2	5-1/2
AM-2-A-NB	1800	15.0	2-9/16	-	3-1/4	6	-	-	-

Photocontrol Accessories



AMR Series

- Perfect for group control applications
- 30 Amp relay
- 3000 Watt rating per pole
- SPDT or DPST switching

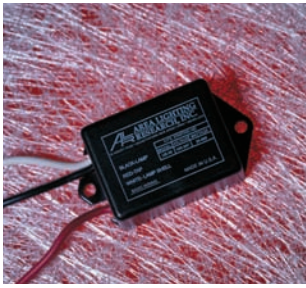
Photocontrols Sold Separately

Selection Information

Model	Rated (Volts)	Range (Volts)	Ballast (VA)/Pole	Load Rating (Amps)	Switch	Switch Contacts
AMR3030.2-120V	120	105 - 130	3600	30	SPDT	1 NO/ 1 NC
AMR3030.2-240V	240	204 - 260	7200	30	SPDT	1 NO/ 1 NC
AMR3030.3-120V	120	105 - 130	3600	30	DPST	2 NO
AMR3030.3-240V	240	204 - 260	7200	30	DPST	2 NO

Note: 12" Lead wires

Lighting Accessories



US-30 Starter

- Universal 3-wire design
- Hermetically sealed components
- Durable ABS housing
- Operates with 35 to 400 Watt HPS ballasts

Selection Information

Catalog Number	Lead Connector	Lamp Voltage	Lamp Wattage
US-30	None	50 or 100	35-400



OLC / PL / ACL Series

- Fast and simple to install
- For incandescent, CFL, LED, Halogen loads only
- Designed for outdoor and indoor use
- Fail Mode is ON

Selection Information

Catalog Number	Rated Volts	Range (Volts)	Load Rating Tungsten (Watts)	CDs Cell (inch)
CPGI-ALR-PL-120S	120	105 - 130	150	1/8
CPGI-ALR-PL-120S-B	120	105 - 130	150	1/8
CPGI-ALR-OLC-5C	120	105 - 130	150	1/4
CPGI-ALR-ACL-11*	120	105 - 130	400	1/8

* ACL controls are designed for incandescent loads only

All of the above information, including drawings, illustrations and graphic designs, reflects our present understanding and is to the best of our knowledge and belief correct and reliable. Users, however, should independently evaluate the suitability of each product for the desired application. Under no circumstances does this constitute an assurance of any particular quality or performance. Such an assurance is only provided in the context of our product specifications or explicit contractual arrangements. Our liability for these products is set forth in our standard terms and conditions of sale. ALR, TE (logo) and Tyco Electronics are trademarks of the Tyco Electronics group of companies and its licensors. Other products, logos, and Company names mentioned herein may be trademarks of their respective owners.

Energy Division - a pioneer in the development of economical solutions for the electrical power industry. Our product range includes: Cable accessories, connectors & fittings, electrical equipment, instruments, lighting controls, insulators, and insulation enhancement and surge arresters.

Tyco Electronics Energy Division

Customer Center
8000 Purfoy Road
Fuquay-Varina, NC 27526-9349
T: 800-327-6996
F: 800-527-8350

For more information and your country contact person,
please visit us at: <http://energy.te.com>

© 2007, 2008-2011 Tyco Electronics Corporation.
All rights reserved. 8-1773447-7-0 E307 01/11

